

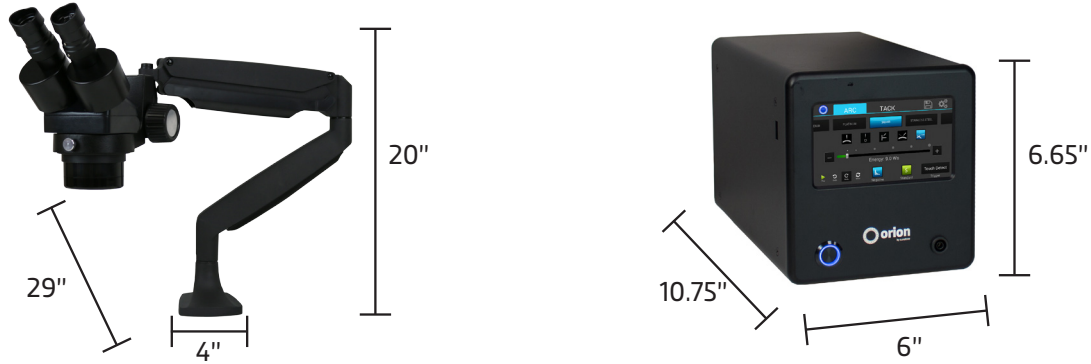








# TECH SPECS



Footprint (L x W x H) 1-29" x 4" x 1-20"

Orion 100c Pulse Arc and Resistance Welder	
Weld Modes	Pulse-Arc & Resistance
Pre-Programmed Metal Settings	11
Customizable Save Settings	30
Languages	Multiple (Ask rep if we have your language)
Display	5" Capacitive Touch Screen
Pulse Arc Weld Energy (Ws)	3-100 Ws
Tack Weld Energy (Ws)	3-100 Ws
Switching Power Supply	110/240VAC (Auto Detected)
Weld Spot Diameter	0.75 - 2.5mm
Footprint (L x W x H)	10.75" x 6" x 6.65" (27.3 x 15.2 x 16.9cm)
Weight	11.8 lbs (5.35 kg)
Stereo Microscope Magnification	5x



### CE TESTED AND CERTIFIED

Welder tested for electrostatic discharge immunity up to 2kV for CE compliance

2 YEAR WARRANTY

**MADE IN THE USA**

